

# What's New in Solid Edge ST9

## Expand your horizons

### Benefits

- Maximize re-use with native CAD model intelligence
- Enjoy built-in design management without maintaining a database
- Minimize IT overhead with optional cloud capabilities
- Select from local or cloud storage of design data
- Organize an entire project and user preferences into a portable file or folder

### Features

- Optional cloud technology facilitates software deployment, maintenance and collaboration
- Built-in data management for fast searches and release management
- Easy duplication of assembly components and part features speeds design work
- Multi-body operations expand part modeling processes
- Management of assembly relationships simplified via an intuitive dialog
- SolidWorks model-to-drawing associativity migrated to Solid Edge

### Summary

Siemens PLM Software's Solid Edge® software with synchronous technology (ST) version 9 combines industry-leading part and assembly modeling tools with the cloud capabilities you need to propel your product development further than ever before. Unshackled from the constraints of traditional computer-aided design (CAD) systems and coupled with some of the industry's best data migration tools makes Solid Edge the choice for modeling excellence. With the freedom to choose how you deploy, license and maintain the software, and how and where you store your data, it has never been easier or more cost-effective to design the world's most complex products.

- Synchronous technology empowers professional designers, makers and students to create world-class products born out of their unique design creativity and modeling methods
- Cloud capabilities provide flexible and easy access to Solid Edge via cloud-based licensing, user preferences, software updates and collaboration

- Choose how you purchase, deploy, administer and maintain Solid Edge and lower your resource and overhead costs
- Enjoy built-in data management for instantaneous searches, easy revision and release management, and optional cloud-based vaulting. Get up and running in as little as an hour, and have the flexibility to grow to full product lifecycle management (PLM) capabilities with Teamcenter® software

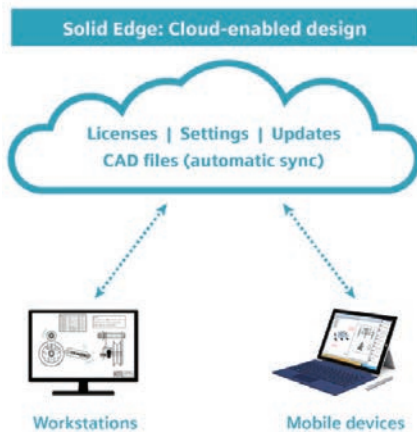
### Delivering cloud-enabled design and collaboration

Using Solid Edge ST9 adds the cloud capabilities you need to enhance your product development performance. And since these new cloud capabilities are optional, you can continue working like you do today, and add these new capabilities at a time that suits you.

Solid Edge runs on your local hardware for optimal performance and reliability, but we have added the capability to store your licenses on the cloud, so if you want to work from home or on a different device you can just login and get the license you need. You can continue to use the current node-locked and floating-license systems if that suits you better. Your user preferences can also be stored on the cloud so Solid Edge is automatically configured for you (user interface layout, units, dimensioning standards, etc.) as you move from device to device. And you also have the

# What's new in Solid Edge ST9

option to automatically update Solid Edge from the cloud. Using this option, maintenance packs will be automatically installed, minimizing your information technology (IT) overhead and ensuring all users can benefit from the latest software.



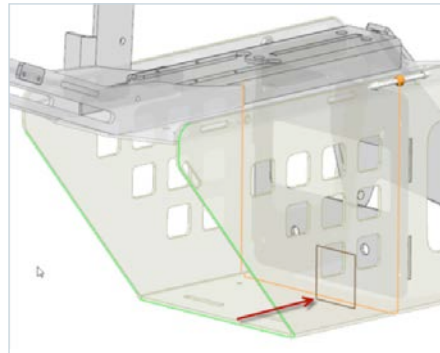
Another option is to use popular cloud-based file sharing solutions such as Dropbox™ software, Microsoft's OneDrive® software and Google Drive and Box software to back up, share and synchronize your design data. These low-cost solutions are easy to use and deploy, and provide excellent security for your critical design data. We call this "cloud on your terms" because you have the flexibility to decide if and when to add these capabilities to your design environment.

## Fast and flexible 3D modeling

Whether you're a professional designer, maker or student, industry-leading core modeling tools deliver exceptional productivity.

Synchronous technology enables users to design the way they think. You can work intuitively within the product structure at hand without being concerned with the modeling environment.

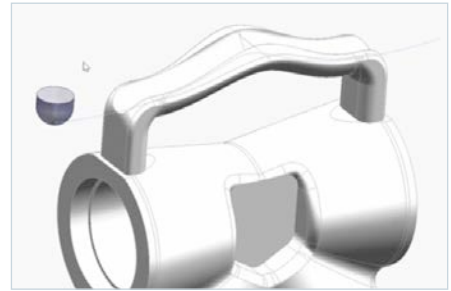
Synchronous modeling techniques can be used to create new parts or edit existing components, both Solid Edge native and imported data, without leaving the assembly. You can use geometry from other components while creating contour flanges.



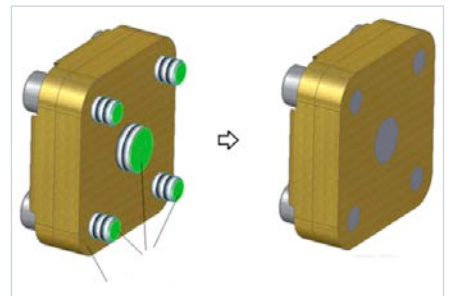
Working in a hybrid synchronous-ordered mode, a visual representation of the finished hybrid model (including ordered features) is available while you are editing synchronous bodies, enhancing user confidence.



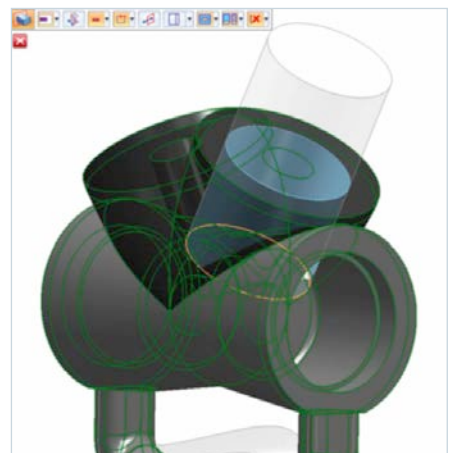
The ability to remove material along a path is now accomplished by sweeping a solid body, simulating a milling operation.



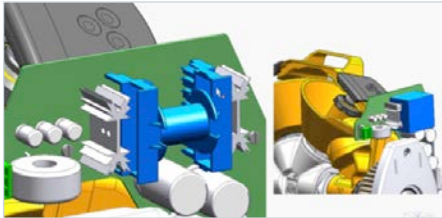
Faces from multiple assembly occurrences can be replaced by a single surface.



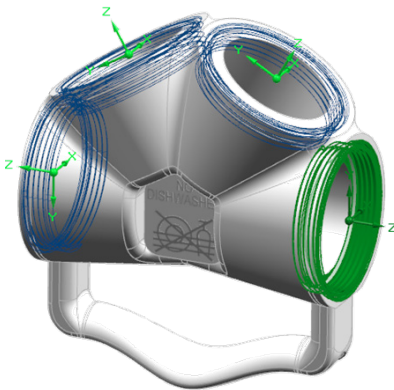
Material removal operations as well as rounds and chamfers span multiple bodies within parts, delivering more intuitive modeling.



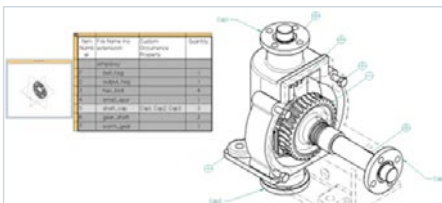
Features, faces and bodies can be enclosed by a single body, simplifying the definition of keep-out areas, machining blanks and determining assembly component volume.



Repetitive actions can slow down your product development process, but using Solid Edge ST9 minimizes the impact with quick duplication functions in part, sheet metal and assembly environments. From profiles, bodies and features in parts and sheet metal components to assembly occurrences and their associated relationships, duplication speeds completion of design projects, no matter the scale.

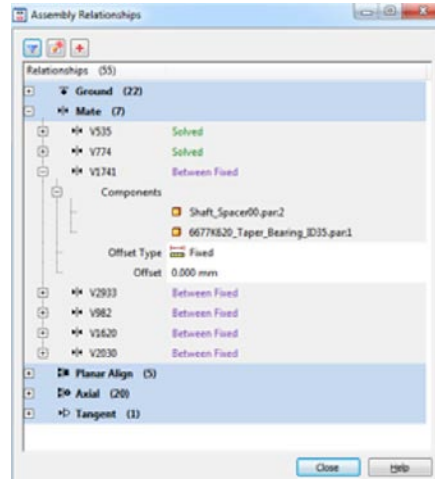


Duplicate assembly components can carry properties unique to each individual occurrence, which is especially useful when using the same component many times in the same product. And these properties can be used in associated drawings.



### Large assembly enhancements

Assembly relationships are now listed in an intuitive tree, simplifying edits, suppression and deletions while working.



You can quickly display selected items in a crowded area of a design. The new isolate option makes it easy to modify large assemblies.

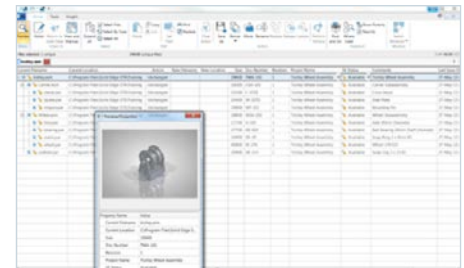


### Scalable data management

Solid Edge ST9 includes built-in data management capabilities that meet the needs of smaller manufacturers for easy-to-deploy and easy-to-use management of fast growing volumes of design data. These capabilities have a key advantage of not requiring you to install, configure and maintain database software such as Microsoft's SQL Server® software or Microsoft's SharePoint® enterprise information portal, instead using standard Windows® operating system indexing capabilities that scan your data and keep track of file names, file links and properties information.

After indexing your data, which is a fast process, you will receive almost instant responses to searches for files, properties and where-used information.

The new design manager utility builds on the proven capabilities and popularity of the existing revision manager tool and adds capabilities for release management to the existing revision management capabilities. Using this tool you can easily clone assemblies as the starting point for a new design project, and then take the assembly and linked drawings through a simple release process.



You can also take advantage of popular cloud-based file sharing software like Dropbox, OneDrive, Google Drive and Box to backup, share and synchronize your Solid Edge design data. And for files that you store and share on the cloud, Solid Edge can be used to lock these files for read-only access while they are being modified, and make this change in status visible to users at other sites. These capabilities enable you to secure and control access to your critical design data, but also make it available anywhere it is needed so you can work more effectively when using distributed design resources. You can also share selected data in a controlled way with external suppliers and customers to improve collaboration with your extended supply chain.

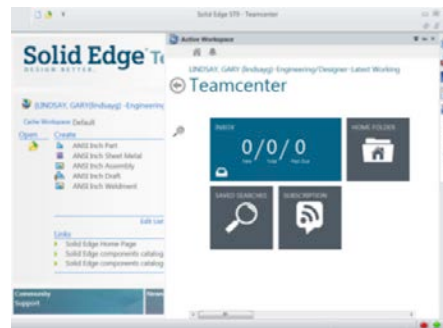
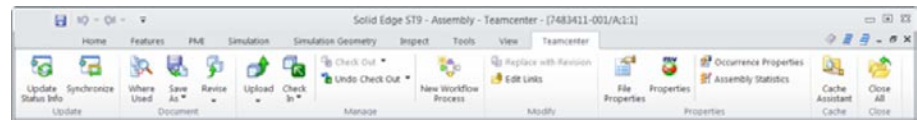
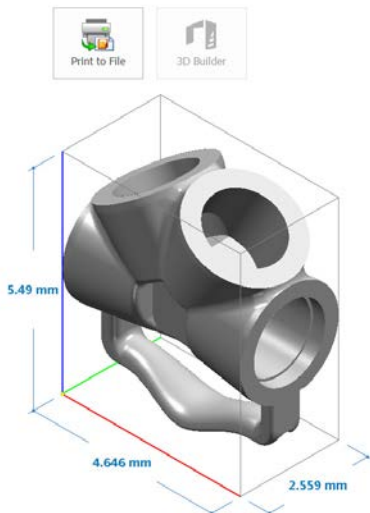
You can deploy these new data management capabilities quickly. For example, Solid Edge users can simply add indexes to the file folders where they currently store their Solid Edge files. Within minutes they can take advantage of faster searching, new release management tools and file sharing on the cloud.

Solid Edge users have the additional benefit of an easy growth path to Teamcenter should they require any of the extensive multi-CAD data management or PLM capabilities of Teamcenter. The Teamcenter integration for Solid Edge has been significantly enhanced, for example by adding a single Teamcenter ribbon that consolidates all Teamcenter commands in one location. Also, the Teamcenter Active Workspace portal can now run in a tab inside Solid Edge. Many additional capabilities are also available, such as being able to have different revisions of the same component within a single assembly.

### Move to Solid Edge

The associativity between SolidWorks® software models and drawings is retained in Solid Edge, greatly reducing rework on imported designs. Seamless mapping of Solid Edge 2D elements to AutoCAD® software formats increases interaction with this commonly used format.

The new Solid Print command provides a live preview of your model as well as the ability to define a conversion tolerance before sending the part to a 3D printer; if you have Windows 10, you can send the model directly to Microsoft's 3D Builder app.



### Custom user interface themes

Streamlined user interface themes provide a collection of tabs and command ribbons, simplifying the learning curve for students. Additional themes present commands most often used within particular industries. You can also create your own themes, including all of the commands you use most, so you can focus on the design, not the software.

### Portability leads to universal flexibility

In an effort to support your productivity anywhere at any time, the new Pack and Go tool provides a simple method to copy an entire project set of design data into a single folder or Zip file. Similarly, you can capture and deploy your personal settings and user preferences to and from a Zip file.

Siemens PLM Software  
[www.siemens.com/plm](http://www.siemens.com/plm)

Americas +1 314 264 8499  
 Europe +44 (0) 1276 413200  
 Asia-Pacific +852 2230 3308

© 2016 Siemens Product Lifecycle Management Software Inc. Siemens and the Siemens logo are registered trademarks of Siemens Ag. D-Cubed, Femap, Fibersim, Geolus, GO PLM, I-deas, JT, NX, Parasolid, Solid Edge, Syncrofit, Teamcenter and Tecnomatix are trademarks or registered trademarks of Siemens Product Lifecycle Management Software Inc. or its subsidiaries in the United States and in other countries. Dropbox is a trademark of Dropbox, Inc. SolidWorks is a registered trademark of Dassault Systèmes SolidWorks Corporation. AutoCAD is a registered trademark of Autodesk, Inc. OneDrive, SharePoint, SQL Server and Windows are registered trademarks of Microsoft Corporation. All other trademarks, registered trademarks or service marks belong to their respective holders.  
 55092-A9 5/16 A